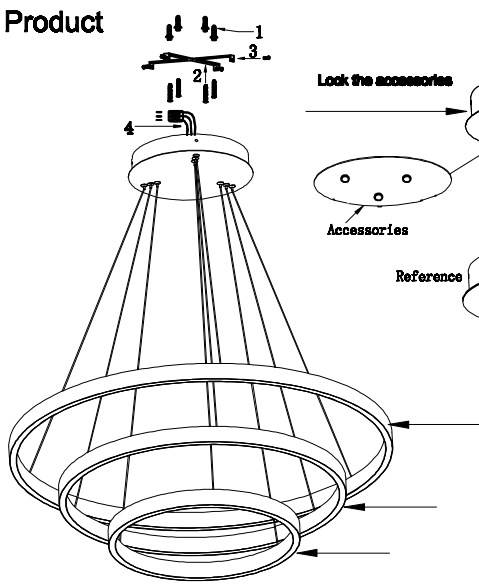


Product



Installation Diagram

